

NewTom RXDC X-VS PERFECT.VIEW

RXDC X-RAY UNIT AND INTRAORAL SENSOR



Cone Beam 3D Imaging
NewTom
what's next

RXDC INTRAORAL X-RAY UNIT.

Outstanding quality and innovation, exceptional features.

RXDC efficiency stems from a combination of advanced technology and an outstanding capacity to produce high definition images. The RXDC X-ray unit provides top-flight performance, practicality and technology. The RXDC features a constant potential high frequency (DC) generator and a very small focal spot (0.4 mm) capable of providing sharp, detailed images while ensuring working comfort and low doses for the patient.

Higher performance with RXDC, the X-ray unit that combines high definition imaging, ergonomic design and low X-ray doses.



SUPERIOR DIAGNOSTIC QUALITY

Obtained in just a few simple steps, all images are high resolution.



ADVANCED TECHNOLOGY

The NewTom RXDC high-frequency X-ray unit is based on NewTom's know-how with a 30 cm source distance and 0.4 mm focal spot.



MINIMAL RADIATION DOSE

Thanks to rectangular collimation and the ECO Mode parameters, the patient exposure to X-rays is minimal.



VERSATILE AND EASY TO INSTALL

Easy, fast installation with multiple positioning options. NewTom RXDC is available in both a wall-mounted and a trolley-mounted version.



PRECISION DIAGNOSTICS.

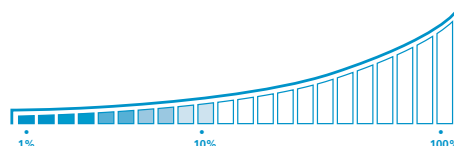
Immediate diagnosis,
excellent results.

Focal spot 0.4 mm and power 70 kV, 8 mA, high-frequency constant potential generator. Cutting-edge technology for extremely detailed images. The RXDC is extremely reliable: constant-potential design ensures image generation is unaffected by power fluctuations.



USER-FRIENDLY CONTROL

A practical, user-friendly handheld unit, designed for immediate, precise X-ray image acquisition, allows easy selection of the most suitable programme. Moreover, it allows users to control the exact emitted dose and the tube temperature via the sequential exposure graph. A wi-fi version is also available.



SUPERIOR PERFORMANCE AND TOP-CLASS ERGONOMICS.

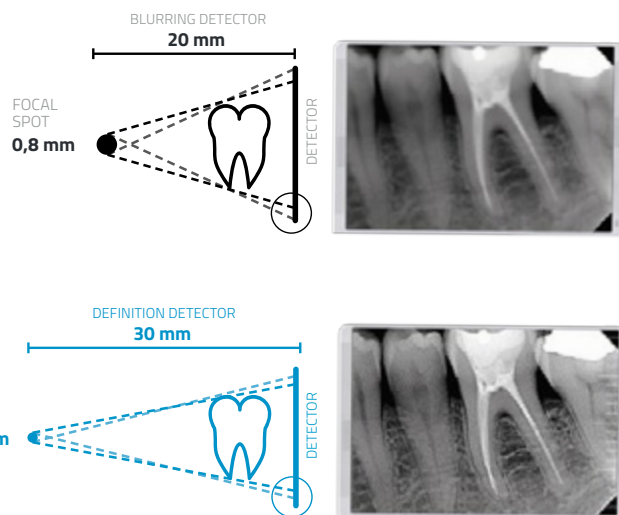
Thanks to the protractor with graduated scale, positioning of the arms and the head is stable, effective and fully adaptable to your work. Consists of extruded aluminium arms with an integrated self-balancing system - available in the following lengths: 40 cm (15,7") - 60 cm (23,6") - 90 cm (35,4"). The adjustable wall support ensures maximum installation versatility.

Increased X-ray parallelism and an incorporated collimator allow the RXDC to achieve a source-to-skin gap of 30 cm. The RXDC provides pin-sharp, precise images with outstanding detail.

Extremely practical and versatile, RXDC can be used together with any type of direct or indirect digital sensor and X-ray film. Featuring 28 levels of sensitivity, it ensures sharp images in any situation.



The RXDC unit can also be set up with shutters and an (optional) rectangular collimator to define the body area that will be exposed and so reduce the received dose. Maximum attention to staff and patient health, while ensuring sharp, high definition image quality.



TROLLEY-MOUNTED VERSION

Maximised mobility for NewTom RXDC: a practical trolley allows the X-ray unit to be moved anywhere in the surgery.

X-VS INTRAORAL SENSOR.

For high quality
low dose dental
diagnostics.

Innovative ergonomics, direct USB plug-and-play connection, high definition and immediate results make the X-VS with HR technology the most advanced and suitable sensor for your surgery. Simplicity of use and image acquisition - combined with advanced real-time digital technology - improve quality of work.



MULTI-VISION DIAGNOSTICS

High definition image acquisition in a few simple steps with filters optimised for every clinical need.



HR PLUG & PLAY DIGITAL TECHNOLOGY

FOP multilayer sensor, sturdy and reliable with direct USB connection.



OPTIMAL ERGONOMICS

Rounded profiles and ergonomic design to adapt to the oral cavity. Maximised active area ensuring an extended view.



INTEGRATED IMAGE MANAGEMENT

The NNT software manages, processes and shares the acquired images on PC; also visible on iPad**.



RELIABLE AND ERGONOMIC.

Multivision for real-time quality diagnosis.

The X-VS intraoral sensor offers extraordinary performance, practical ergonomics and high technology, offering a perfect balance between comfort and cutting-edge technology. X-VS is impact-resistant, dust-resistant, IP67 certified (water-resistant) and can be used with all X-ray systems.

X-VS means real-time diagnostics, direct USB plug-and-play connection, high definition and immediate results. X-VS uses iRYS, the all-in-one software ideal for diagnostics, communication and management of intraoral imaging: perfect for storing, managing and printing images in perfect synchronism with any other devices already in the surgery.

With X-VS the captured images are immediately displayed. Quick and easy sharing, communication and storage for an optimised workflow. Following acquisition, images are loaded directly onto the PC. From here they can be consulted, printed and shared via the iPad App** or a free image viewer.



INNOVATIVE ERGONOMICS

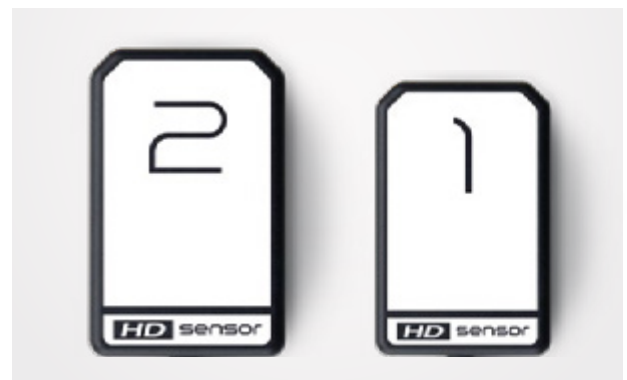
Ergonomic design, rounded corners and a flexible lead make the X-VS a practical, ergonomic and intelligent sensor. This speeds up the work and makes it more practical, maximising patient comfort. Designed to adapt perfectly to the anatomy of the oral cavity, X-VS maximises both the active area and positioning comfort. Ergonomic positioners ensure optimal sensor placement.

X-VS maintains a perfect combination of first-rate comfort and cutting-edge technology. Patient comfort is ensured by ergonomics and automatic acquisition, helping real-time diagnostics: it also allows the dentist/assistant to be always next to the patient for an uninterrupted workflow.



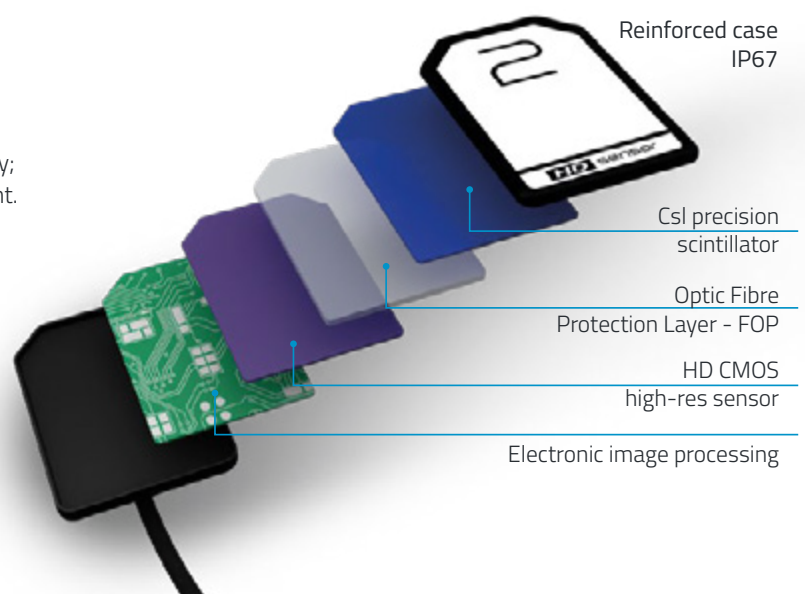
CUSTOMISED DIAGNOSTICS

Available in two sizes for maximum adaptability to the dimensions of the patient's oral cavity. Excellent working comfort and positioning, ensured by ergonomic sensors with rounded corners. A set of innovative filters allows customised tests to be carried out to improve the diagnostic vision.



MULTILAYER SENSOR

Four-layer sensor, Caesium Iodide scintillator with column-like micro-structures that preserve image quality; intercepts the X-ray beam and converts it into visible light. The Fibre Optics Plate collimates the radiation onto the sensor and protects it against X-ray penetration. The CMOS acquisition device and the electronics convert the light into a high definition digital image



TECHNICAL SPECIFICATIONS.

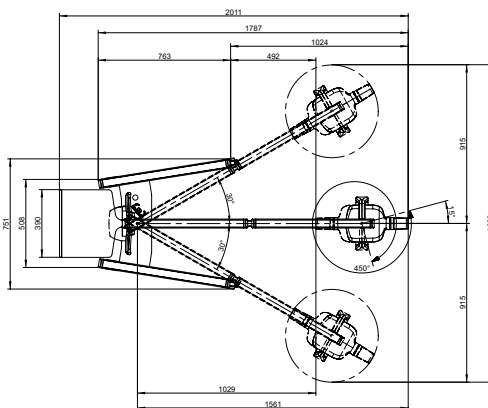
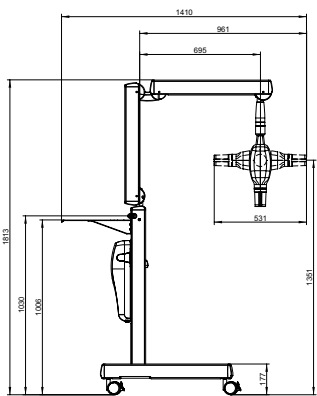
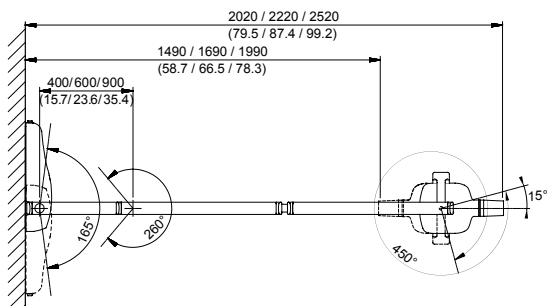
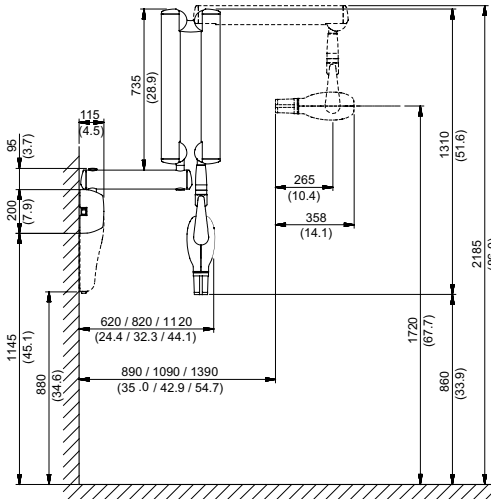
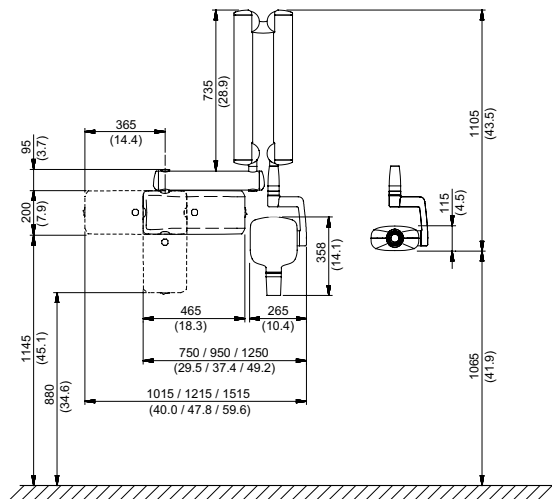
RXDC X-RAY UNIT

Generator	Constant potential, microprocessor-controlled
Working frequency	145 ± 230 KHz with self-adjustment (typically 175 KHz)
Focal spot	0.4 mm (IEC 336)
Total filtration	2.0 mm Al@ 70kV
Anode current	4 / 8 mA
Voltage at X-ray tube	60 / 65 / 70 kV (*)
Exposure times	0.020 – 1.000 seconds, R'10 and R'20 scale
Source-skin distance	20 and 30 cm
Irradiated field	Ø 55 mm and Ø 60 mm round
Additional collimators	35 x 45 mm rectangular, 31 x 41 mm and 22 x 35 mm, for sensors size 2 and size 1
Power supply	50/60 Hz, 115-120Vac ±10% or 230-240Vac ±10%
Duty Cycle	Continuous operation with self-adjustment up to 1s/90s total
Arms (for Standard version only)	Available in 3 lengths: 40 cm (15,7") - 60 cm (23,6") - 90 cm (35,4")
Max. arm extension	230 cm, from wall
Certification	CE 0051, FDA approved
Versions	Standard (wall mounted) or Mobile (on portable cart)

(*) values depend on the country where the product is marketed

X-VS SENSOR	SIZE 1 – STANDARD	SIZE 2 – LARGE
Outside dimensions (mm)	38.9 x 24.9	41.9 x 30.4
Thickness (mm)	5.3	5.7
Pixel matrix	1500 x 1000	1700 x 1300
Pixel size (µm)	20	20
Max. resolution (lp/mm)	25	25
Grey level depth	14 bit acquisition - 16.384 maximum levels of grey	
Scintillator technology	CsI (Caesium Iodide) with micro-columnar structure	
Direct exposure protection	FOP (Fibre Optic Plate)	
Degree of Case protection	IP 67 (Guaranteed against liquid or dust infiltration)	
Compatibility with X-ray generators	Any AC or DC technology X-ray generator with kV values in the 60 – 70 kV range and precision control of exposure times	
Connectivity	Direct USB to PC	
Acquisition software (for PC)	iCapture with TWAIN interface	
Image management software (for PC)	NNT (for PC) with DICOM 3.0 interface with free viewer and App** for iPad	
MINIMUM SYSTEM REQUISITES		
Supported operating systems	Microsoft® Windows® 7 (SP1) - 8 - 8.1 Professional (64 bit recommended); Microsoft® Windows® 10 Professional 64 bit	
Display settings	1280 x 1024; 1344 x 768 or greater, 16 million colours	
Port	USB 2.0 or later versions	
Power supply	5 VDC, 500 mA (via USB)	

Specifications subject to change without prior notice.



** NOT available in USA and CANADA

Dimensions in centimetres
 (dimensions in inches)



Cone Beam 3D Imaging
NewTom
what's next



CEFLA s.c.

Via Selice Provinciale 23/a • 40026 Imola • Italy

t. +39 045 8202727 • 045 583500

info@newtom.it

newtom.it