



05.2024 S210LRGB231501

Due to our policy of constant technological upgrading, technical specifications may be subject to change without prior notice.

According to the standards in force, in extra-EU areas the availability and specifications of some products and/or characteristics may vary. Please contact your local distributor for further information.



S210LR

UNRIVALLED VERSATILITY



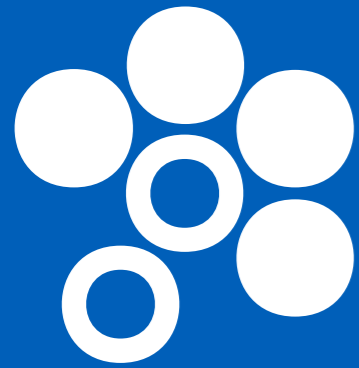
Making Your Life Better.

BU Medical Equipment
Sede Legale ed Amministrativa / Headquarters
CEFLA s.c.
Via Selice Provinciale, 23/a
40026 Imola (BO) - **Italy**
t. +39 0542 653111
f. +39 0542 653344
sternweber@sternweber.com
sternweber.com

Stabilimento / Plant
Via Bicocca, 14/C
40026 Imola (BO) - **Italy**
t. +39 0542 653441
f. +39 0542 653601



STERNWEBER.COM



STERN WEBER

MAXIMUM FLEXIBILITY

Adaptability for left-handed dentists through easy re-positioning; also ensures suitability for all clinical facilities. The S210LR responds to the growing need for flexible, compact equipment that can be used by dentists who practice in hospitals or multi-user surgeries.

LIMITLESS CHOICE

Part of a wide range that spans from integral to modular versions, this model can be configured so it matches customer needs precisely. Ranges from the patient chair only and extends all the way to the complete version with unit body, dentist and assistant's modules, foot control and operating light.

INSPIRED BY EVOLUTION

Advanced functions, control software for cutting-edge instruments and hygiene devices, all operated via an advanced control panel with LCD touchscreen. Thanks to in-depth data and dedicated functions, dentists can also perform root canal treatment. With S210LR, tomorrow comes closer.

YOUR TALENT INSPIRES US











MONITORING AND ASSISTANCE

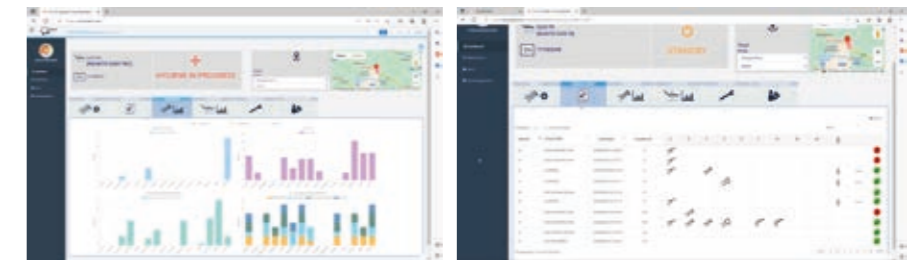
To keep pace with technological developments, the Stern Weber product range features Internet connectivity. This latest innovation provides access to optional digital services that improve dental surgery efficiency.



Di.V.A. (Digital Virtual Assistant)

With Di.V.A., a user-friendly dashboard lets dentists or surgery owners monitor dental unit use, instrumentation and the disinfection cycles performed. Data can be obtained quickly and easily as it's managed on a web portal, accessible from any browser.

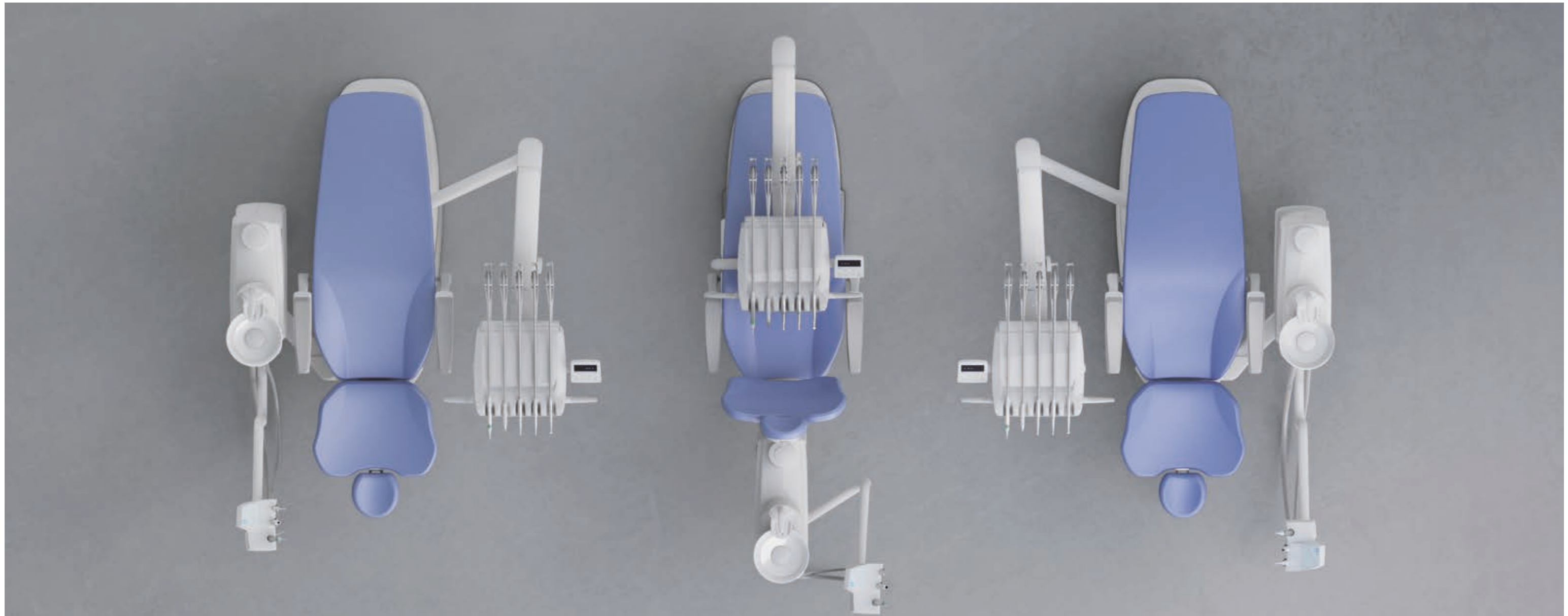
Where a patient sensor is present, users can accurately quantify effective use of the patient chair. What's more, Di.V.A. gives direct access to video tutorials and the user manual for the model in question.



easycheck

When linked to the web via Easy Check, the dental unit can rely on real-time remote diagnosis and technical support: this valuable tool helps technicians speed up assistance and manage it more effectively.





**Fully re-positionable without
any need for technical
adjustments**

Ideal for multi-operator surgeries where both right-handed and left-handed dentists practice, the S210LR can be re-positioned in just a few quick, simple steps that require neither tools nor technicians. The switch can even be made by the assistant on his/her own.

The dentist's module rotates on the fixed pin under the seat; the unit body - arm and assistant's module included - can be moved from one side to the other after releasing the support.



Support release
Once the cover has been removed just free the mechanism that allows re-positioning from right to left and vice versa.



Re-positionable control panel
Continental model users can move the control panel to the opposite side of the dentist's module, thus optimising ergonomics and making the dental unit 100% ambidextrous. Just rotate the on-panel connector 180° and reconnect it to the tablet. The task takes less than a minute.





A unit designed to maximise flexibility in every situation

Everything on the Continental model has been designed to provide the dentist with an extremely flexible system. From the compactness and lightness of the dentist's module to the swing joints that allow instrument levers to move laterally without causing wrist fatigue, every single ergonomic aspect is designed to optimise mobility. The dentist's module is light and compact. Instruments are easy to use thanks to generous tubing excursion and a tubing recovery arm system minimises interference with the operating light. The handle incorporates a pushbutton to release the pneumatic lock on the module,

helping the dentist position it perfectly after vertical adjustment.

All this ensures the dentist can always count on perfectly positioned instruments and, therefore, maximum working comfort.



Orthodontic arm
Model designed for orthodontists with single chair. The arm complements the module with 5 holders, 2 of which are for dynamic instruments (to be chosen from



micromotor, scaler, and turbine). The control panel with alphanumeric display manages the chair, lamp and instruments.



Compact tray
The stainless steel tray is conveniently housed under the module. Position-adjustable, it can easily be used by either dentist or assistant. A compact tray of minimum size and bulk is available as an alternative.



SideFlex instrument levers
Removable and equipped with swing joints that also allow lateral movement, the levers alleviate wrist fatigue and are self-balancing. SideFlex instrument levers are available as an optional.



Extensive, fluid movement ensures working comfort in every position

Thanks to the broader arm system on the hanging-tube instruments model, the dentist's module can reach all the usual working positions around the patient. Made of light cast aluminium, the fixed arm can pass over the patient whatever the situation. A broad handle running the full width of the module makes module movement even easier. The handle can be removed for cleaning purposes. When placed in their holders, instruments are supported securely and arranged symmetrically to optimise ergonomics. A large easy-to-read LCD touch screen is positioned above the instruments. Dentists can control patient chair movements,

hygiene systems and other integrated devices. Where the i-XS4 micromotor is present the instrument control panel also provides a full complement of endodontic functions (including control of the apex locator, with data display during canal treatment).



Tray holder
Large transthoracic tray holder (optional) mounted on the International module.



Sixth instrument
The international dentist's module can be completed with an optional sixth instrument: camera or T-LED light.



Assistant's module
The module mounted on the double-articulated arm is height-adjustable and comes with three holders as standard. An optional 5-holder version is also available: this can be used to hold other instruments such as a video camera or T-LED light. The keypad incorporates controls that move the patient chair, switch on the operating light and operate the water-to-cup and cuspidor bowl rinse functions.





**Instruments and software
for endodontics and the
new FLUO micromotors**

The S210LR provides everything needed for endodontic treatment: instruments, the specific contra-angle to be used with the optional i-XS4 micromotor, electronics for precise control and adjustment of operating parameters (speed and torque).

Lighter and quieter than previous versions, the new brushless micromotors are now available with innovative FIT (Fluorescence-aided Identification Technique) technology. This identifies the presence of composite materials thanks to the fluorescence emitted by a LED integrated in the instrument.



i-XS4 micromotor
Supplied as an alternative to the i-XR3 LED micromotor, the i-XS4 is suitable for conservative, prosthetic and endodontic dentistry. Speed ranges from 100 to 40,000 rpm and torque is adjustable. Features auto-forward and auto-reverse functions and is fully autoclavable.



SC Scalers
Ultrasound scalers, compatible with the best commercially available tips, for supragingival prophylaxis and periodontal tasks. Also suitable for the preparation of small cavities and usable in endodontic root canal cleaning techniques. Available with or without LED lighting.



T-LED
Instrument with 180° ergonomic rotation. Features 6 polymerisation and bonding programmes with immediate or gradual start. Does not cause composite shrinkage.



Apex locator
It allows the apex distance to be displayed during root canal instrumentation. The nearing of the apex is also indicated by warning buzzers and micromotor rotation is automatically disabled when the apex is reached.



Excellent comfort and outstanding style

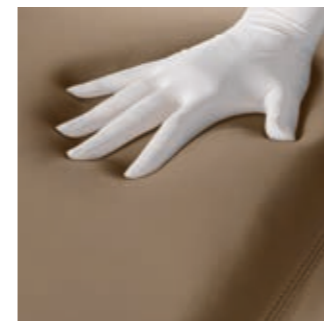
Featuring new optional swivel arms, the slim-profile patient chair incorporates a movement control keypad on the side of the seat. Made of tough materials and featuring thoroughly tested mechanics, the patient chair offers excellent support and has a lift capacity of 160 kg.

Absolute silence

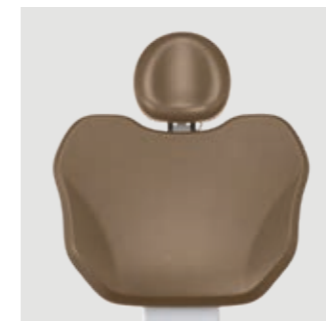
The patient chair is equipped with Soft-Motion technology, which ensures both silent running and fluid, vibration-free movement.



Patient presence sensor
The automatic operating light switch-on/off mechanism - which can be enabled during installation or by the technical service - helps make the dental unit more sustainable.



Memory Foam
Exceptional comfort and proper anatomical support thanks to special upholstery options.



Standard backrest
Shaped so that dental staff can move closer to the patient during treatment. Suitable for adults, children and any treatment type.



Nordic backrest
Ensures lasting comfort during protracted treatment sessions and shaped to aid dentists who work in 'indirect vision' mode.



Atlas headrest
The headrest that faithfully follows the patient's anatomy. Ultra-simple fingertip release of the pneumatic lock allows orbital movement to achieve perfect positioning, vertical adjustment included.



From operating light to foot controls, personal preferences matter

The optional **Venus LED MCT** is a step forwards in the development of clinical lighting. Light intensity is adjustable up to 50,000 Lux. A broad spotlight and excellent depth of field, from 55 to 85 cm, reduce the need for the dentist to reposition the lamp during treatment. What's more, "composite" mode can be activated quickly to prevent premature composite polymerisation. With a colour rendering index (CRI) of over 95 and the capacity to use 3 colour temperatures, dentists can select just the right lighting for their specific disciplines. 4300K warm light for surgical treatment; neutral light, 5000K for conservative dentistry; 5500K cool light for realistic colour capture.

Alternatively, the **Venus Plus – L LED**, with light intensity from 3,000 to 50,000 Lux and a colour temperature of 5000K, features three-axes rotation and incorporates the no-touch sensor for adjustment via potentiometer. Supplied as standard, **Venus Plus** is a high performance halogen operating light with front protective screen and removable handles for easy disinfection. Three-axis-rotation ensures maximum manoeuvrability in all treatment situations. Venus Plus has a soft-start function and a colour temperature of 4900K. Light intensity ranges from 8,000 to 35,000 Lux and is adjusted via a potentiometer.



Multi-function foot control
Cutting-edge device with ergonomic lateral-slide control that lets dentists activate Chip Air and Chip Water functions on the instrument in use, invert micromotor rotation (when extracted), control patient chair movement and recall saved positions. Cabled and wireless versions available.



Pressure-operated foot control
Offering the same performance as the multi-function foot control, this unit offers different ergonomics for those who prefer a pressure-operated approach. Cabled and wireless versions available.



Power Pedal
This third foot control model offers different design and ergonomics. It provides the same functions as the more classic models. Cabled and wireless versions available.



**Live image sharing
enhances patient confidence**

Coupled with a latest-generation HD video camera, the Full HD 16: 9 tilt-adjustable 1920 x 1080 pixel flat screen medical monitor can be lead-connected to a PC. The LED light sources ensure high levels of contrast and brightness, while the IPS panel, which significantly broadens the screen viewing range, allows images to be comfortably viewed from any angle.



22" LED Monitor
The Full HD medical monitor is also available in a multitouch version that allows the screen to be positioned as desired.



C-U2 HD camera
The video camera aids dentist-patient communication and, thanks to the slender handpiece design, it can reach distal zones with ease. Excellent depth of field eliminates any need for manual focusing. Speeds up diagnostics and generates material for documenting the treatment and completing clinical reports.



Macro Cap
An extremely useful accessory, Macro Cap can magnify up to 100x in ultra-high resolution. Three additional, high purity glass lenses optimise lighting of details located close to the optical unit.



Zen-X X-ray sensor
Extractable sensor with USB lead located on the dentist's module, can capture high-resolution images with minimal radiation dosage. Able to be sanitised, the sensor comes in two different sizes and is IP67 certified against water and dust infiltration.



The instruments are inserted in the tray above the cuspidor bowl throughout the **BIOSTER** cycle.

Meticulous design and certified devices ensure protection you can always count on

Free to configure the dental unit with a broad selection of active devices as desired, dentists can also count on a design concept with an array of features that safeguard patient and surgery staff alike.



I.W.F.C.
Activated via the control panel, the device ensures tubing is kept clean after the machine has remained idle for a time. Included in the BIOSTER or available separately.

BIOSTER
S210LR can be equipped with the automatic BIOSTER system. This device performs fast, intensive disinfection cycles on spray water circuits. Each stage of the cycle is automatically controlled by the dental unit. Dentists can personalise settings as desired. The cycle stages are:

- Introduction of compressed air into water pipes to empty them
- Withdrawal of disinfectant from tank and introduction into spray water circuits
- Liquid remains in ducts for indicated time
- Liquid expelled with compressed air
- Flushing with (mains or distilled) water

By using Peroxy Ag+, the **BIOSTER** ensures high-level disinfection of the water circuit. Analysis carried out by the **Sapienza Università of Rome** has demonstrated that the disinfection provided is sufficient to "eradicate all tested microbes from the piping of the dental unit, even with higher contamination levels."



Cuspidor bowl with optical sensor
The glass cuspidor bowl rotates and can be removed for cleaning purposes. Incorporated in the cup and bowl fill unit, the optical sensor automates cup filling.



A.C.V.S.
Automatic system that carries out suction system sanitisation cycles between one patient and another. Practical and fast.



DVGW CERTIFIED
The dental unit water circuit is EN 1717 compliant.



SANASPRAY
Tank with distilled water as an alternative to mains water.



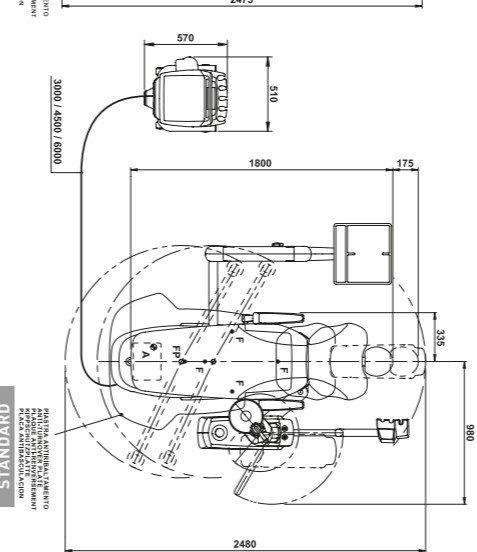
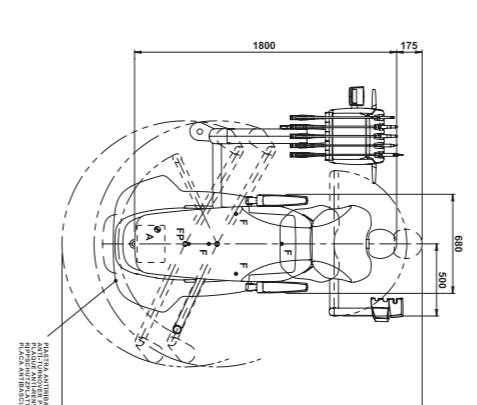
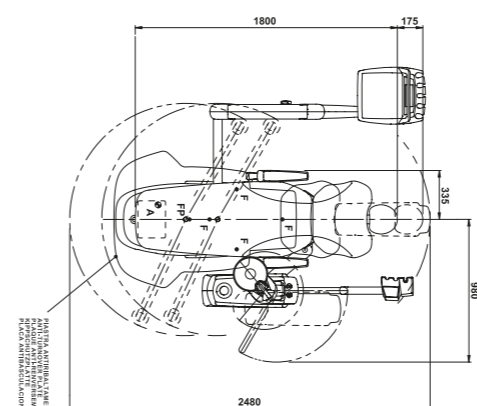
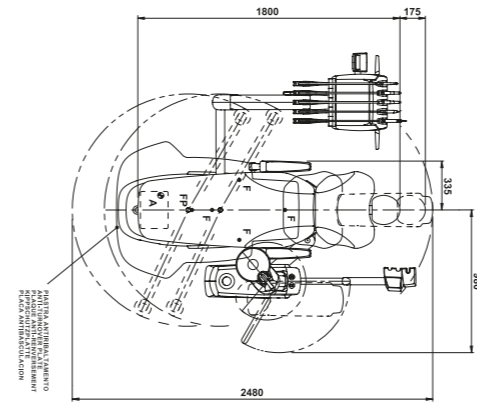
Removable International handle
The handle can be removed for in-depth sanitisation; removal also makes it easier to clean the dentist's module and instrument control panel.



Removable Continental handle
The new dentist's module handle can easily be removed for thorough sanitisation.

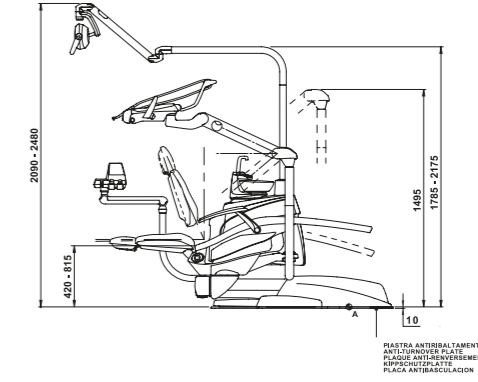
S210LR	CONTINENTAL	INTERNATIONAL	CART	MODULAR CONTINENTAL	MODULAR INTERNATIONAL	MODULAR CART
HYGIENE SYSTEMS						
BIOSTER	*	*	*	-	-	-
A.C.V.S.	*	*	*	-	-	-
SANASPRAY	*	*	*	*	*	*
I.W.F.C.	*	*	*	*	*	*
A.C.A.	●	●	●	●	●	●
DENTIST'S MODULE						
LCD touch screen	●	●	●	●	●	●
i-XR3 Micromotor with fibre optics (100 – 40,000 rpm, 3.3 Ncm)	●	●	●	●	●	●
i-XR3 L FLUO Micromotor with FIT technology	*	*	*	*	*	*
i-XS4 Micromotor with fibre optics (100 – 40,000 rpm, 5.3 Ncm)	*	*	*	*	*	*
i-XS4 FLUO Micromotor with FIT technology	*	*	*	*	*	*
Scaler (with and without fibre optics)	*	*	*	*	*	*
6-way syringe	●	●	●	●	●	●
Sixth instrument	-	*	*	-	*	*
Integrated X-ray sensor	*	*	*	*	*	*
Integrated Apex Locator	*	*	*	*	*	*
UNIT BODY						
Glass cuspidor bowl	●	●	●	-	-	-
Ceramic cuspidor bowl	*	*	*	-	-	-
Cuspidor bowl drive system	*	*	*	-	-	-
Cup fill sensor	*	*	*	-	-	-
Water-to-cup heater	*	*	*	-	-	-
Spray heating	*	*	*	*	*	*
Independent cannulae selection	*	*	*	-	-	-
Suction stop device on chair base	●	●	●	●	●	●
Assistant's tray holder	*	*	*	-	-	-
Assistant's module with 3 holders	●	●	●	*	*	*
Assistant's module with 5 holders	*	*	*	*	*	*
Venus Plus lamp	●	●	●	●	●	●
Venus Plus L-LED lamp	*	*	*	*	*	*
Venus LED MCT lamp	*	*	*	*	*	*
PATIENT CHAIR						
Atlaxis headrest	*	*	*	*	*	*
Adjustable right armrest	*	*	*	*	*	*
Adjustable left armrest	*	*	*	*	*	*
Patient presence sensor	*	*	*	-	-	-
Multi-function foot control	*	*	*	*	*	*
Pressure-operated foot control	●	●	●	●	●	●
Power Pedal foot control	*	*	*	*	*	*
Wireless multi-function foot control	*	*	*	*	*	*
Wireless pressure-operated foot control	*	*	*	*	*	*
Power Pedal wireless foot control	*	*	*	*	*	*

● as standard * optional - unavailable

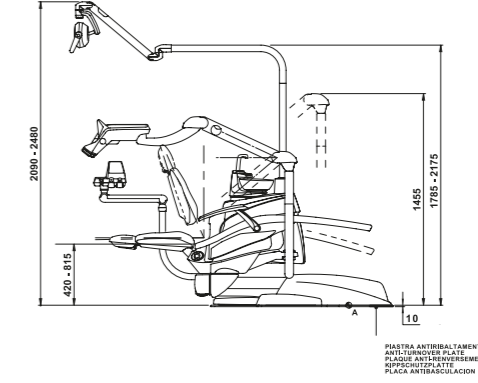


Measurements shown in drawings are in millimetres.

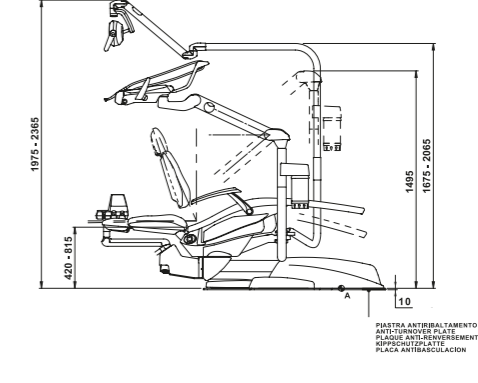
CONTINENTAL



INTERNATIONAL



MODULAR



CART

